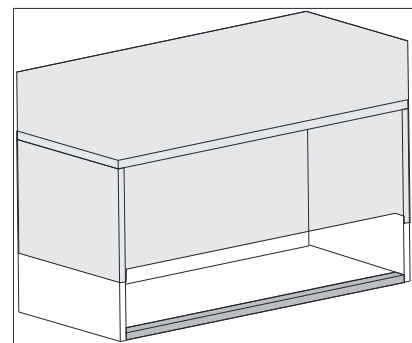
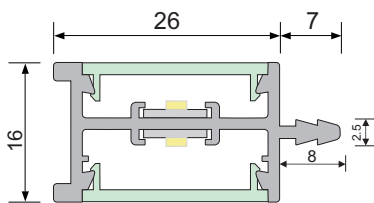


LED Furniture Light Series

ZONO

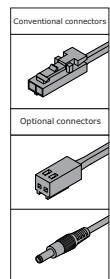
Technical details



Other lengths upon request

Characteristics:

- Shining upwards and downwards
- The design of tilted circuit board enable glare-free lighting
- Dimmer touching or hand shaking sensor switch
- Recessed mount



Product	Size(mm)	Voltage(VDC)	Led type	CCT(K)	Power(W/m)	CRI	Sensor switch
ZONO	1000x33x16	12/24	SMD2835	2700 ~ 6500K RGB CCT Tunable	7.2x2	> 80, <90	No sensor switch
							R/L hand shaking IR sensor
							R/L touching sensor optional