

## SPECIFICATION SHEET : T1T1240700-25F

This Is An Original Product From Fulham (India) Pvt. Ltd.

**Description:** 25W Constant Current LED Driver, Single Channel, 18-36V, 0.7A ( Dimmable )

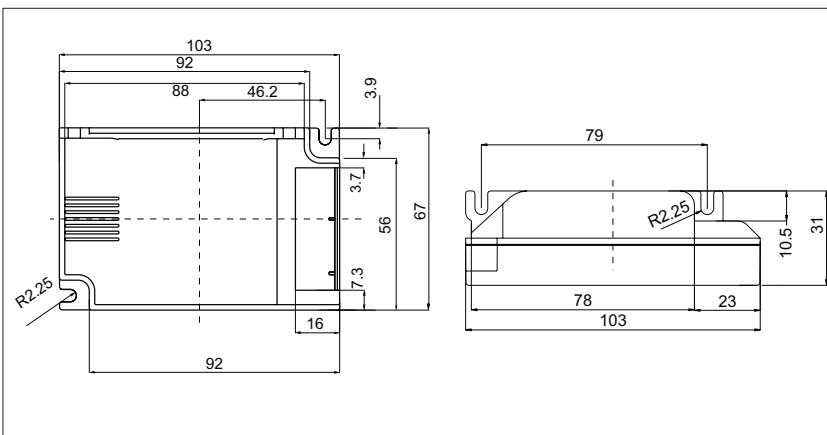
**This Driver Will Operate The Following LED Modules:**

Any LED module designed to accept constant current input of 700mA and a voltage of 18-36VDC.

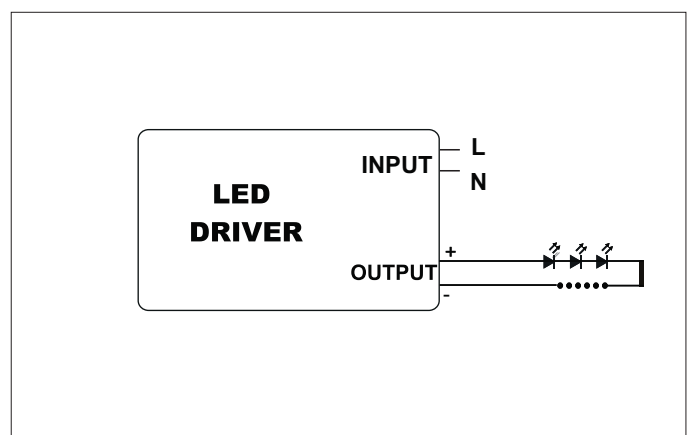
### ELECTRICAL DATA

RATED MAINS VOLTAGE	240 Vac
OPERATING VOLTAGE RANGE	130Vac~277Vac, 50/60Hz
INPUT CURRENT (MAX)	0.13A
POWER FACTOR	> 0.98
Athd	< 20%
EFFICIENCY	>82
CONSTANT CURRENT, VOLTAGE OR POWER	Constant Current
OUTPUT CURRENT	0.7A
OUTPUT VOLTAGE	18~36 Vdc
OUTPUT WATTAGE	25W (Max)
NUMBER OF OUTPUT CHANNELS	1
EMI	EN55015
SURGE PROTECTION	Yes
CURRENT PROTECTION	Yes
OVER VOLTAGE APPLICATION, MAINS SIDE	Yes
OUTPUT SHORT CIRCUIT PROTECTION	Yes
OUTPUT OPEN CIRCUIT PROTECTION	Yes
OUTPUT TO GROUND SHORT PROTECTION	Yes
OVERLOAD PROTECTION	Yes
DIMMING CONTROLLER TYPE	Triac Phase Controller Dimmer
DIMMING RANGE	100%~30%
MAX CASE HOT SPOT TEMPERATURE	70°C
MIN OPERATING TEMPERATURE	-10°C
MAX OPERATING TEMPERATURE	50°C
APPROVALS CLASS	SELV Equivalent

### MECHANICAL DATA



### WIRING DIAGRAMS



This is an original product from Fulham(India) Pvt. Ltd. Due to program of continuous improvement, Fulham (India) Pvt. Ltd. Reserves the right to make any variation in design or construction of the product described. Address : 01, Sukhada, Sir Pochkhanwala Road, Worli, Mumbai.  
Tel:+91 22 66388775-7,email:john@fulham.com