



# FERNOLAMPS

GLOWING BEYOND ETERNITY



12V DC

# SLICE

HIGH QUALITY RECESSED CABINET LIGHT

## FEATURES:

ENERGY SAVINGS | HIGH CRI | LONG LASTING  
MORE THAN 50, 000 HOURS WORKING LIFETIME | ALUMINUM BODY  
ECO-FRIENDLY | NO UV OR RF INTERFERENCE | NO MERCURY OR LEAD  
BREAKAGE RESISTANCE

## Available Colours



BLACK | SILVER

## APPLICATIONS:

- \*CABINET LIGHTING
- \*FURNITURE LIGHTING
- \*DISPLAY CASE LIGHTING
- \*MUSEUM AND ART LIGHTING



**3 YEAR**  
WARRANTY

**DIMMABLE**



## SPECIFICATIONS:

**POWER** : 2.4 WATT/PCS

**EFFICACY** : 100 Lm / WATT

**BEAM ANGLE** : 120° / 45°

**INSTALLATION** : RECESSED

**LED COLOR TEMP.** : 2700K / 3000K / 4000K / 5700K / 6500K

**HOUSING MATERIAL** : ALUMINIUM

**FINISH / COLOR** : SILVER / BLACK

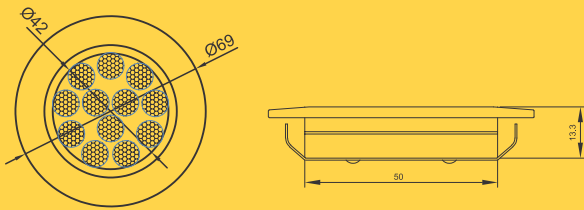
**WIRE** : 2 METERS

**SIZE** :  $\Phi 69 \times (H) 13.3$

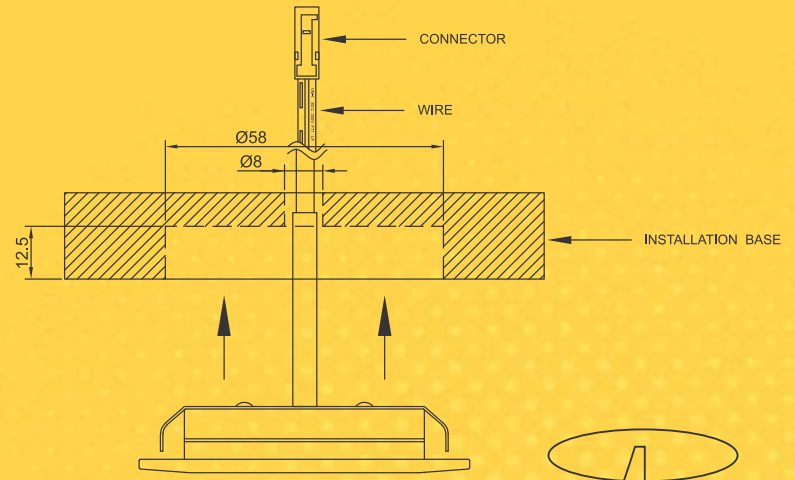
**CRI** : 90+ Ra / 80+ Ra

**VOLTAGE** : 12V DC

**IP PROTECTION** : IP20



Dimensions



Installation Guide

Cutout 50mm



**MADE IN INDIA**

Manufactured by:  
**DIGIPTO TECHNOLOGIES PVT. LTD.**

2/201, Anila Shanti Ind. Est.,  
Dhumal Nagar, Waliv, Vasai – 401 208 .

Dist. Palghar, Maharashtra, INDIA.

Technical Support: + 91 83800 10000

Email : [info@digipto.com](mailto:info@digipto.com)

Website : [www.digipto.com](http://www.digipto.com)

### WARRANTY:

3 YEARS (Limited for technical defects only)

### Note:

For reliable connections please use distribution boxes and extension cable, separately available. LED driver available separately.

### CAUTION:

OVER-DRIVING THIS LIGHT MAY CAUSE PERMANENT DAMAGE.