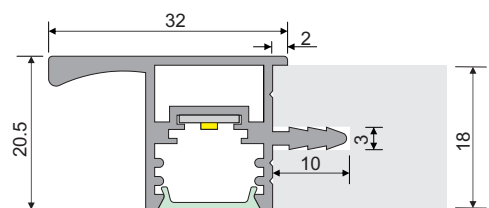
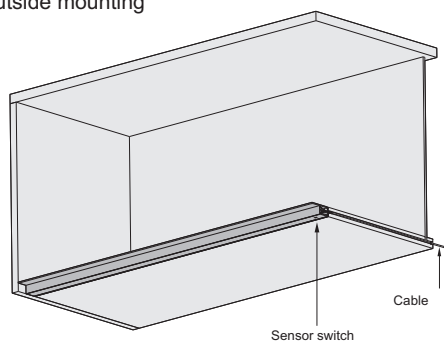


LED Furniture Light Series

PULLER

Technical details

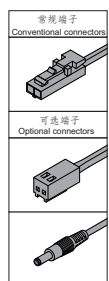
The outside mounting



Other lengths upon request

Characteristics:

- Hand free design
- Shining from upwards
- The light will not be too harsh
- Recessed mount



Product	Size(mm)	Voltage(VDC)	Led type	CCT(K)	Power(W/m)	CRI	Sensor switch
PULLER	1000x40x20.5	12/24	SMD2835	2700 ~ 6500K RGB CCT Tunable	7.2x2	> 80, <90	R/L hand shaking IR sensor