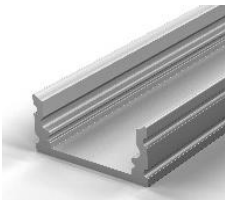
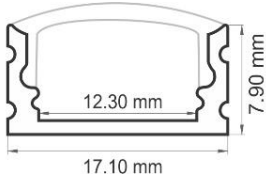


Mercury



Profile	Dimensions	Mounting Clips	Watt [MAX]
			14.40 W/M

Specifications

Main Features

PARAMETERS	DESCRIPTION
LED PACKAGE	2835, 3/5 SDCM, LM80 PART
CRI	80-85 Ra, 90-95 Ra
CCT/COLOR	2300~8000*, R,G,B,A,P,C,Y,F,O**
DIFFUSER	Clear, Frosted, Milky (press fit)
END CAPS	Plastic
Mounting clips	Plastic
V in	12 v dc / 24 v dc
DIMENSIONS	17.10 mm W X 7.90 mm H
CUTTABLE LENGTH	24.75 mm / 49.50 mm
DRIVER	Non-integrated

▪ 120 LED Per Meter	▪ Choose from 4.8 to 14.40 watts
▪ Powered by BRIDGELUX	▪ Constant voltage
▪ Finishing: Silver Anodized	▪ 12 V DC or 24 V DC
▪ IP Rating: IP-20	▪ MOQ: 10 M

* White: 2300 K, 2700 K, 3000 K, 3500 K, 4000 K, 5000 K, 5500 K, 6000 K, 6500 K, 8000 K.

** RGBAPSYFO: - Red, Green Blue, Amber, Pink, Sky-blue, Yellow, Flame, Orange

LM -80 APPROVED

30,000 WORK HOURS

1 BIN PROCESSING

Customization parameters:

❖ STANDARD SIZES: -	500 MM	1000 MM	2000 MM	CUSTOM SIZE
❖ STANDARD WATTAGES: -	4.8W / M	7.2W/M	9.6W/M	14.40 W/M

PCB specifications:

- Material: FR4 - RIGID PCB, 1.6 mm thickness
- Width: 8 mm width Cuttable : 24.75 mm / 49.50 mm
- V in: 12V / 24V dc
- LED: 2835, 120 LED/m, 3 or 6 LED series



Applications

Coves, Architectural, Furniture, Various Indoor and Outdoor Lightings Etc.



Optional with 100 mm male / female self-locking connector