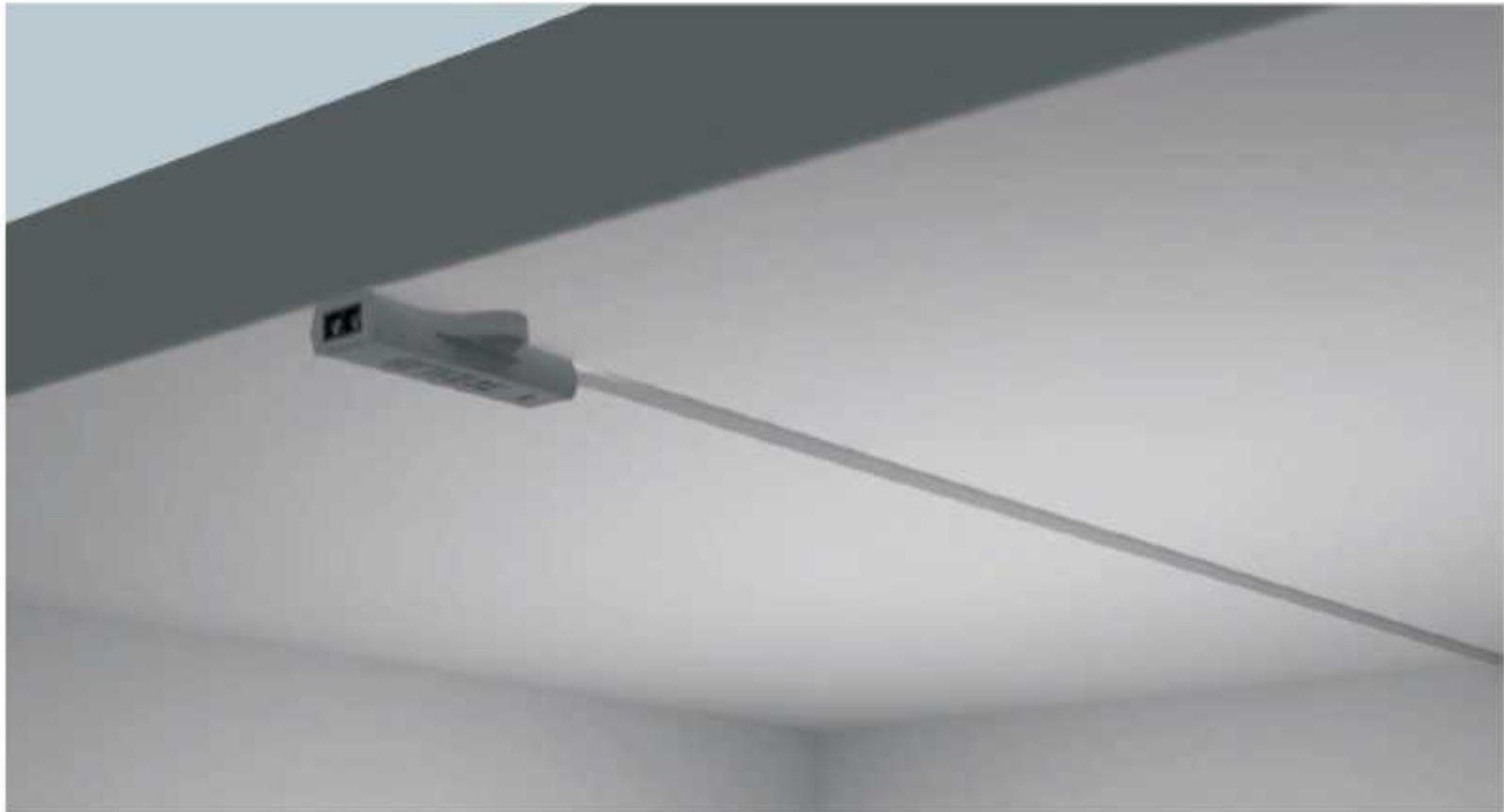


## HAND SHAKE SENSOR ENCLOSED



## APPLICATIONS

General LED lighting

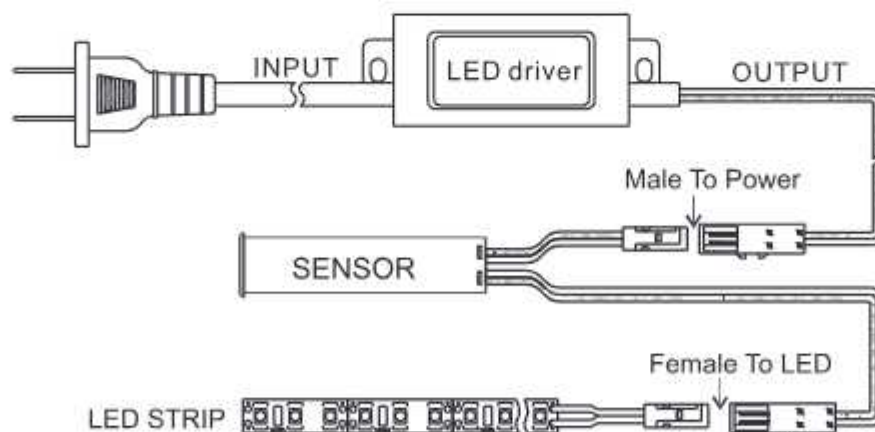
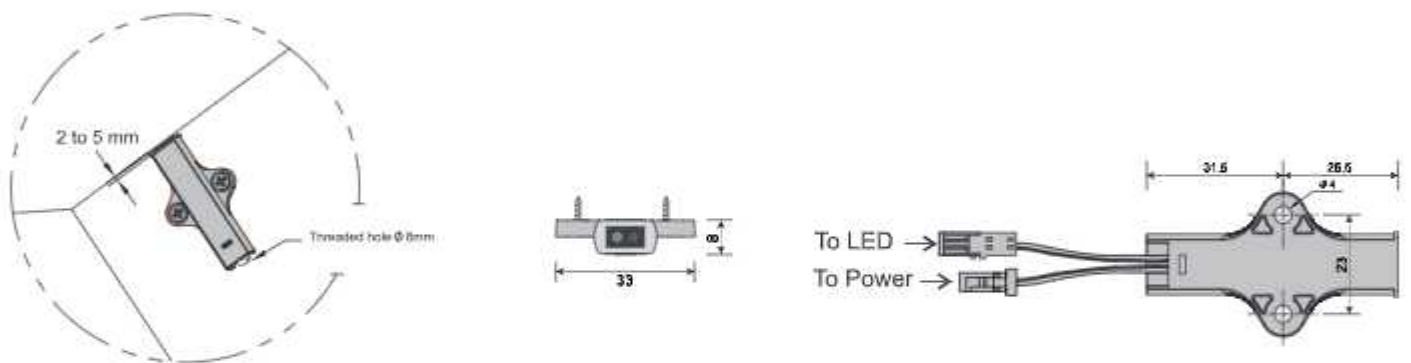
Linear LED lighting

Furniture lighting and more

## TECHNICAL DETAILS

Product	Size	Power Supply	Switching capacity	Sensor Distance	Color	Cable Length	IP Grade
Hand Shake Sensor Enclosed	58X33X8 mm	DC 12V/24V	60W max	5-8 cm	White/Black	1500 mm	IP 20

## WIRING & CONNECTION DIAGRAM



Page | 2 of 2