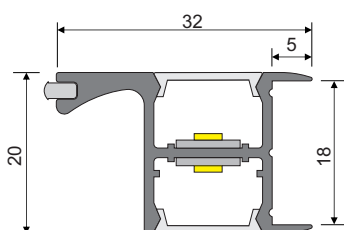




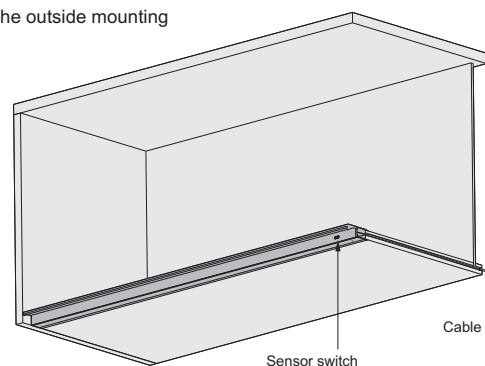
LED Furniture Light Series

FRAME

Technical details



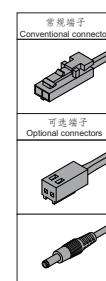
The outside mounting



Other lengths upon request

Characteristics:

- Hand free design
- Shining from upwards and downwards
- Door trigger sensor switch (Double door sensor switch available)



Product	Size(mm)	Voltage(VDC)	Led type	CCT(K)	Power(W/m)	CRI	Sensor switch
FRAME	1000x32x20	12/24	SMD2835	2700 ~ 6500K RGB CCT Tunable	7.2x2	> 80, <90	Door Trigger Switch