



FERNO LAMPS

GLOWING BEYOND ETERNITY



12V DC

ERIS

HIGH QUALITY MINI CABINET LIGHT

FEATURES:

ENERGY SAVINGS | HIGH CRI | LONG LASTING
MORE THAN 50,000 HOURS WORKING LIFETIME | ALUMINUM BODY
ECO-FRIENDLY | NO UV OR RF INTERFERENCE | NO MERCURY OR LEAD
BREAKAGE RESISTANCE

Available Colours



BLACK



SILVER

APPLICATIONS:

- *CABINET LIGHTING
- *FURNITURE LIGHTING
- *DISPLAY CASE LIGHTING
- *MUSEUM AND ART LIGHTING



3 YEAR WARRANTY

DIMMABLE

CRI > 80+

100 LUMENS

IP 20

SPECIFICATIONS:

POWER : 2.2-WATT high CRI **SIZE** : $\Phi 63 \times (H)12.5$
EFFICACY : 100 Lm / WATT **CRI** : 80+ Ra
BEAM ANGLE : 120° **VOLTAGE** : 12V DC / Lamp
IP PROTECTION : IP20

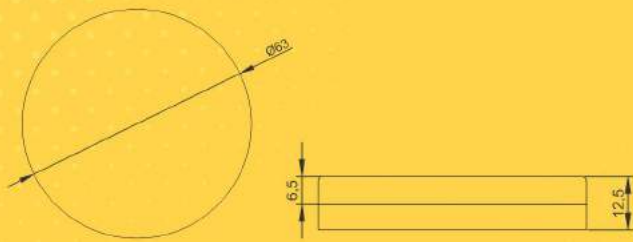


LED COLOR TEMP. : 2700K / 3000K / 4000K / 5700K / 6500K

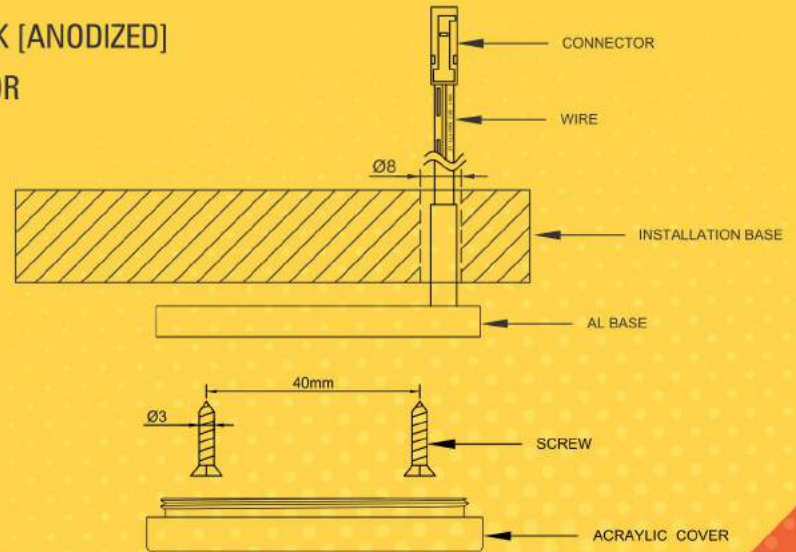
HOUSING MATERIAL : ALUMINIUM

FINISH / COLOR : SILVER [ANODIZED] / BLACK [ANODIZED]

WIRE : 2 METERS WITH CONNECTOR



Dimensions



Installation Guide



Manufactured by:

DIGIOP TO TECHNOLOGIES PVT. LTD.

2/201, Anila Shanti Ind. Est.,

Dhumal Nagar, Waliv, Vasai – 401 208 .

Dist. Palghar, Maharashtra, INDIA.

Technical Support: + 91 83800 10000

Email : info@digiopto.com

Website : www.digiopto.com

WARRANTY:

3 YEARS (Limited for technical defects only)

Note:

For reliable connections please use distribution boxes and extension cable, separately available. LED driver available separately.

CAUTION:

OVER-DRIVING THIS LIGHT MAY CAUSE PERMANENT DAMAGE.