



TECHNICAL DATA

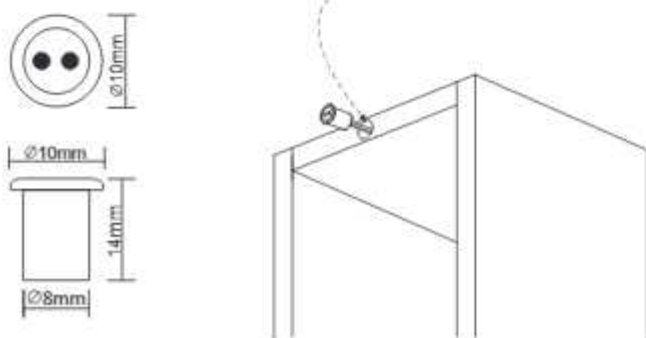
Item No.:	S2A-A4	S3A-A4
Voltage	DC12V~DC24V	
Max Wattage	60W	
Switch Mode	IR sensor	
Function	Door trigger	Hand shaking
Detecting Range	5-8cm	
Dimension	∅ 11x14mm(Recessed), 13*10*8mm(Surface clips)	
Material & Finish	Plastic, Black	
Protection Rating	IP20	

TECHNICAL DATA

Item No.:	S2A-2A4
Voltage	DC12V~DC24V
Max Wattage	60W
Switch Mode	IR sensor
Function	Double door trigger
Detecting Range	5-8cm
Dimension	∅ 11x14mm(Recessed), 13*10*8mm(Surface clips)
Material & Finish	Plastic, Black
Protection Rating	IP20

Combination Chart

Recommended Groove Size: ① Switch hole size: 8mm(Dia), 14mm(Depth)



Combination Chart

Recommended Groove Size: ① Switch hole size: 11mm(Dia), 16mm(Depth)

