



600mA
SYSTEM

GLOWING BEYOND ETERNITY

COSMO

HIGH QUALITY MINI CABINET LIGHT

FEATURES:

ENERGY SAVINGS | HIGH CRI | LONG LASTING
MORE THAN 50, 000 HOURS WORKING LIFETIME | ALUMINUM BODY
ECO-FRIENDLY | NO UV OR RF INTERFERENCE | NO MERCURY OR LEAD
BREAKAGE RESISTANCE

Available Colours



BLACK



SILVER

APPLICATIONS:

- *CABINET LIGHTING
- *FURNITURE LIGHTING
- *DISPLAY CASE LIGHTING
- *MUSEUM AND ART LIGHTING

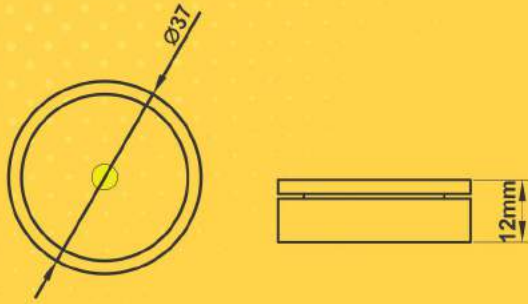
3 YEAR
WARRANTY

DIMMABLE

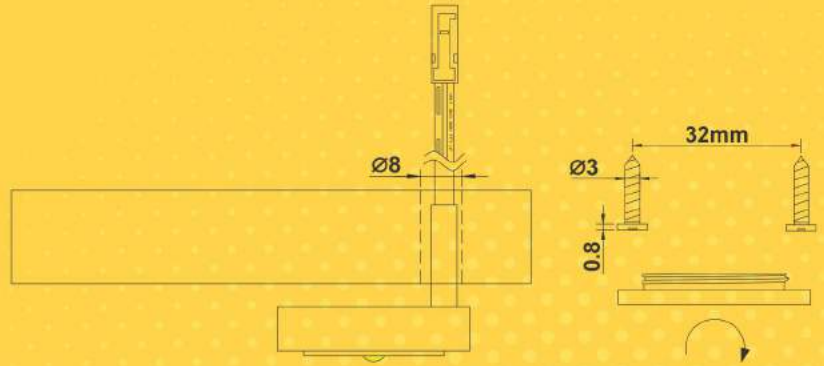


SPECIFICATIONS:

POWER	: 2-WATT high CRI	SIZE	: $\Phi 37$ X (H)12.00
EFFICACY	: 200 Lm / WATT	CRI	: 90+ Ra / 80+ Ra
CURRENT	: 600mA	VOLTAGE	: 3.8V DC / Lamp
BEAM ANGLE	: 120°	IP PROTECTION	: IP20
LED COLOR TEMP.	: 2700K / 3000K / 4000K / 5700K / 6500K		
HOUSING MATERIAL	: ALUMINIUM		
FINISH / COLOR	: SILVER [ANODIZED] / BLACK [ANODIZED]		
WIRE	: 2 METERS WITH CONNECTOR		



Dimensions



Installation Guide



MADE IN INDIA

Manufactured by:
DIGIOP TO TECHNOLOGIES PVT. LTD.
2/201, Anila Shanti Ind. Est.,
Dhumal Nagar, Waliv, Vasai – 401 208 .
Dist. Palghar, Maharashtra, INDIA.
Technical Support: + 91 83800 10000
Email : info@digiopto.com
Website : www.digiopto.com

WARRANTY:
3 YEARS (Limited for technical defects only)

Note:
For reliable connections please use distribution boxes and extension cable, separately available. LED driver available separately.

CAUTION:
OVER-DRIVING THIS LIGHT MAY CAUSE PERMANENT DAMAGE.