



350mA
SYSTEM

GLOWING BEYOND ETERNITY

COIN

HIGH QUALITY MINI CABINET LIGHT

FEATURES:

ENERGY SAVINGS | HIGH CRI | LONG LASTING
MORE THAN 50, 000 HOURS WORKING LIFETIME | ALUMINUM BODY
ECO-FRIENDLY | NO UV OR RF INTERFERENCE | NO MERCURY OR LEAD
BREAKAGE RESISTANCE

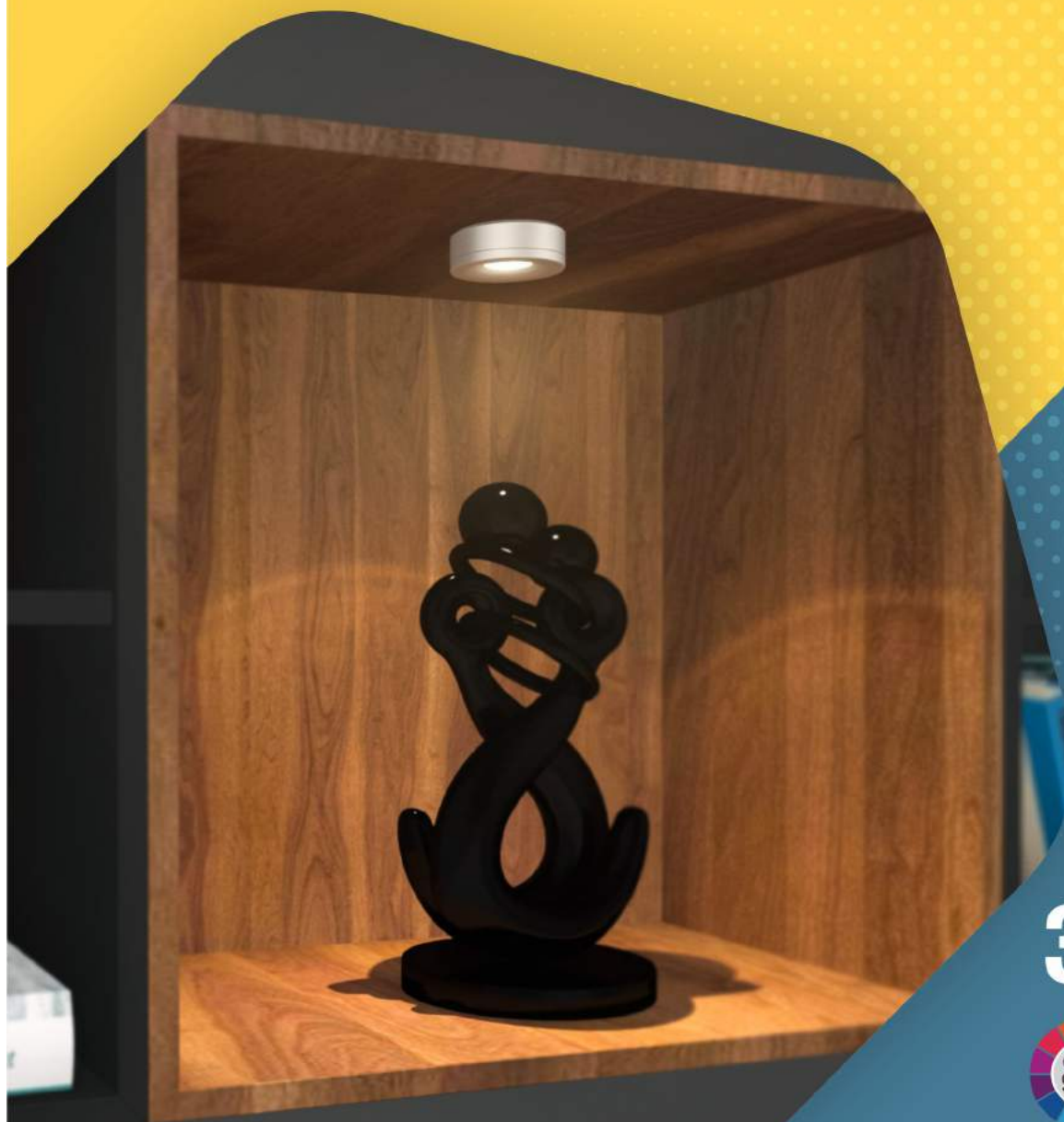
Available Colours



BLACK | SILVER

APPLICATIONS:

- *CABINET LIGHTING
- *FURNITURE LIGHTING
- *DISPLAY CASE LIGHTING
- *MUSEUM AND ART LIGHTING



3 YEAR
WARRANTY

DIMMABLE

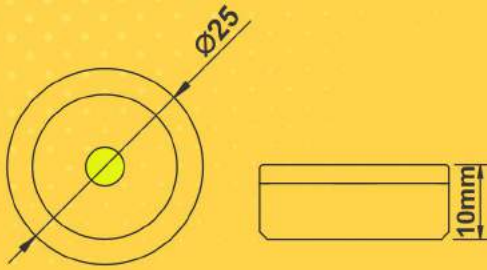
CRI >
90+

100
LUMENS

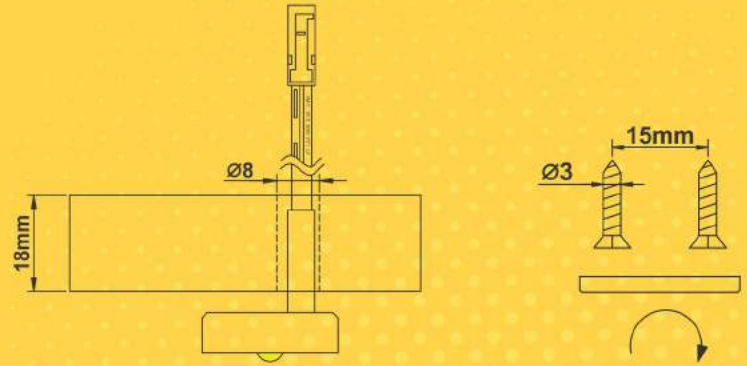
IP 20

SPECIFICATIONS:

POWER	: 1-WATT high CRI	SIZE	: $\Phi 25$ X (H)10.00
EFFICACY	: 100 Lm / WATT	CRI	: 90+ Ra / 80+ Ra
CURRENT	: 350mA	VOLTAGE	: 3V DC / Lamp
BEAM ANGLE	: 120°	IP PROTECTION	: IP20
LED COLOR TEMP.	: 2700K / 3000K / 4000K / 5700K / 6500K		
HOUSING MATERIAL	: ALUMINIUM		
FINISH / COLOR	: SILVER [ANODIZED] / BLACK [ANODIZED]		
WIRE	: 2 METERS WITH CONNECTOR		



Dimensions



Installation Guide



Manufactured by:

DIGIOP TO TECHNOLOGIES PVT. LTD.

2/201, Anila Shanti Ind. Est.,

Dhumal Nagar, Waliv, Vasai – 401 208 .

Dist. Palghar, Maharashtra, INDIA.

Technical Support: + 91 83800 10000

Email : info@digiopto.com

Website : www.digiopto.com

WARRANTY:

3 YEARS (Limited for technical defects only)

Note:

For reliable connections please use distribution boxes and extension cable, separately available. LED driver available separately.

CAUTION:

OVER-DRIVING THIS LIGHT MAY CAUSE PERMANENT DAMAGE.

MADE IN INDIA