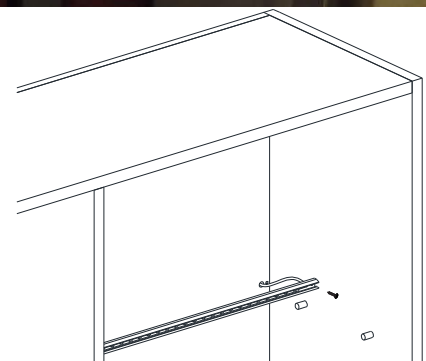
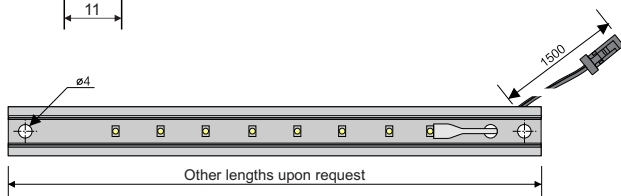
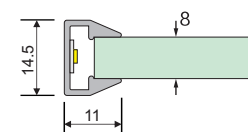
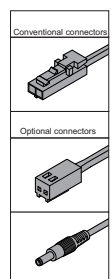
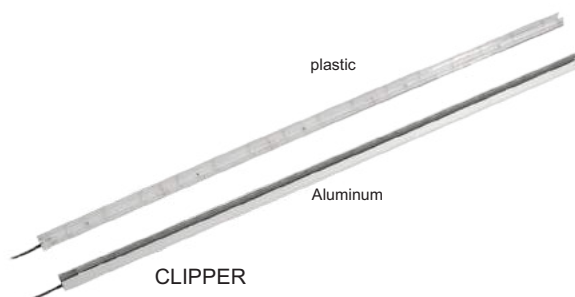


Technical details



Characteristics:

- Used for lighting glass edge
- Suitable for 8mm thickness glass shelf
- Aluminum/plastic optional



Product	Size(mm)	Voltage(VDC)	Led type	CCT(K)	Power(W)	CRI
CLIPPER	1000x11x14.5	12/24	SMD2835	2700 ~ 6500K RGB CCT Tunable	7.2	> 80, <90