

2 PART DOOR TRIGGER SENSOR

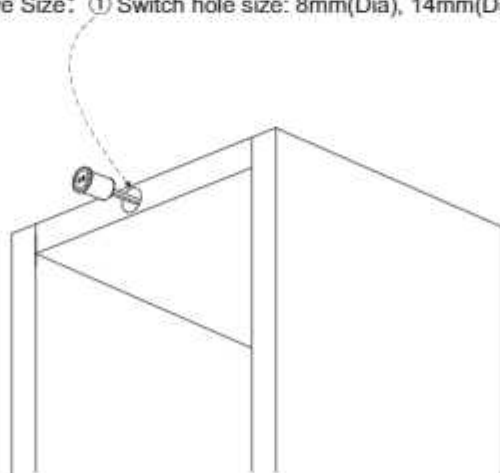
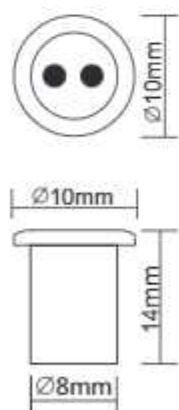


TECHNICAL DATA

Item No.:	S2A-A4	S3A-A4
Voltage	DC12V~DC24V	
Max Wattage	60W	
Switch Mode	IR sensor	
Function	Door trigger	Hand shaking
Detecting Range	5-8cm	
Dimension	Ø 11x14mm(Recessed),13*10*8mm(Surface clips)	
Material & Finish	Plastic, Black	
Protection Rating	IP20	

Combination Chart

Recommended Groove Size: ① Switch hole size: 8mm(Dia), 14mm(Depth)



Manufactured and Distributed by